

# Technical Manual

## L810 Studio™ L Series



### ACOUSTIC & ELECTRICAL SPECIFICATIONS:

- Nominal Impedance 8 ohms
- Max Amp Power 150 watts\*
- Frequency Response 60Hz – 40kHz (±3dB)
- Sensitivity 88dB (2.83V @ 1 meter)
- Crossover Frequencies 3500Hz, 20kHz

### SYSTEM COMPONENTS:

- Grille 353233-001
- Low-Frequency Transducer 5-1/4" (133mm) PolyPlas™ cone, shielded (353115-001)
  - DC Resistance 5.5 ohms ±10%
- High-Frequency Transducer 1" (25mm) Pure-titanium dome (353237-001)
  - DC Resistance 3.3 ohms ±10%
- Ultrahigh-Frequency Transducer 3/4" (19mm) Mylar® dome (353107-001)
  - DC Resistance 3.6 ohms ±10%
- Crossover Network 353419-001

### AURAL SWEEP TEST SPECIFICATIONS:

- System Aural Sweep Test 6.0V Input 60Hz to 20kHz
- L.F. Aural Sweep Test 5.0V Input 60Hz to 4kHz
- H.F. Aural Sweep Test 2.83V Input 3kHz to 20kHz
- U.H.F. Aural Sweep Test n/a

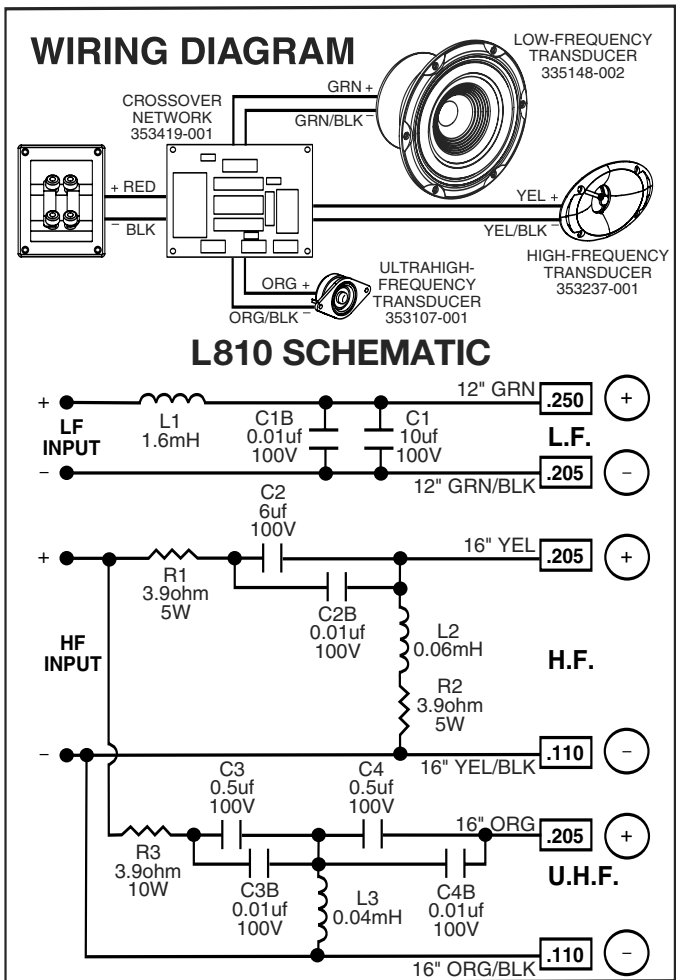
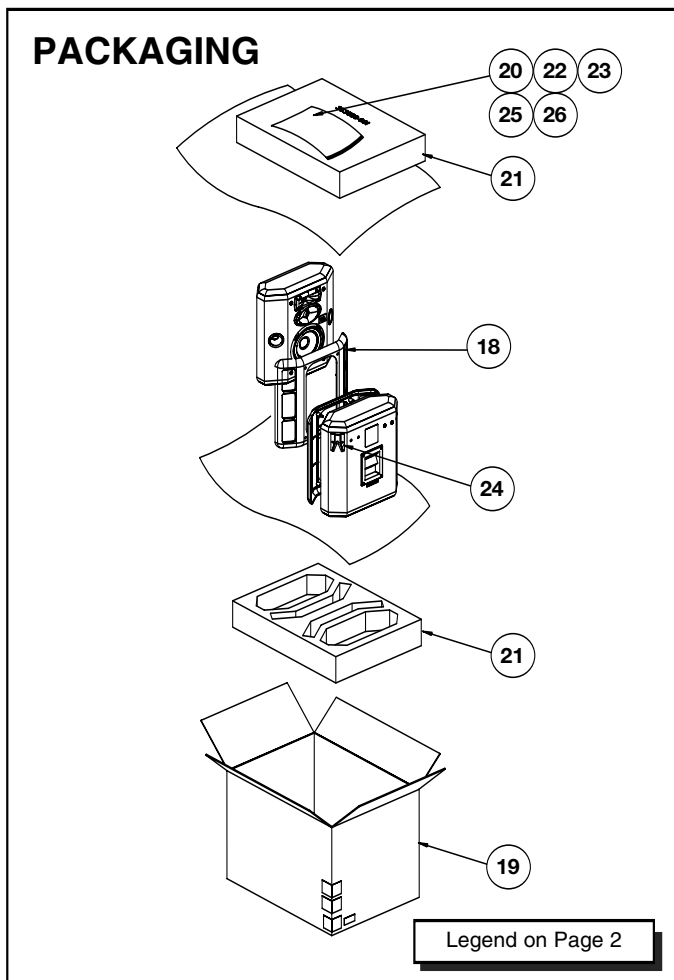
### PHYSICAL SPECIFICATIONS:

- Enclosure dimensions 14-1/4" x 12-1/4" x 5" (H x W x D) (362mm x 311mm x 127mm)
- Weight 28 lb (12.8kg) Sold in Pairs

### WARRANTY:

- Refer to Warranty Statement packed with each product.

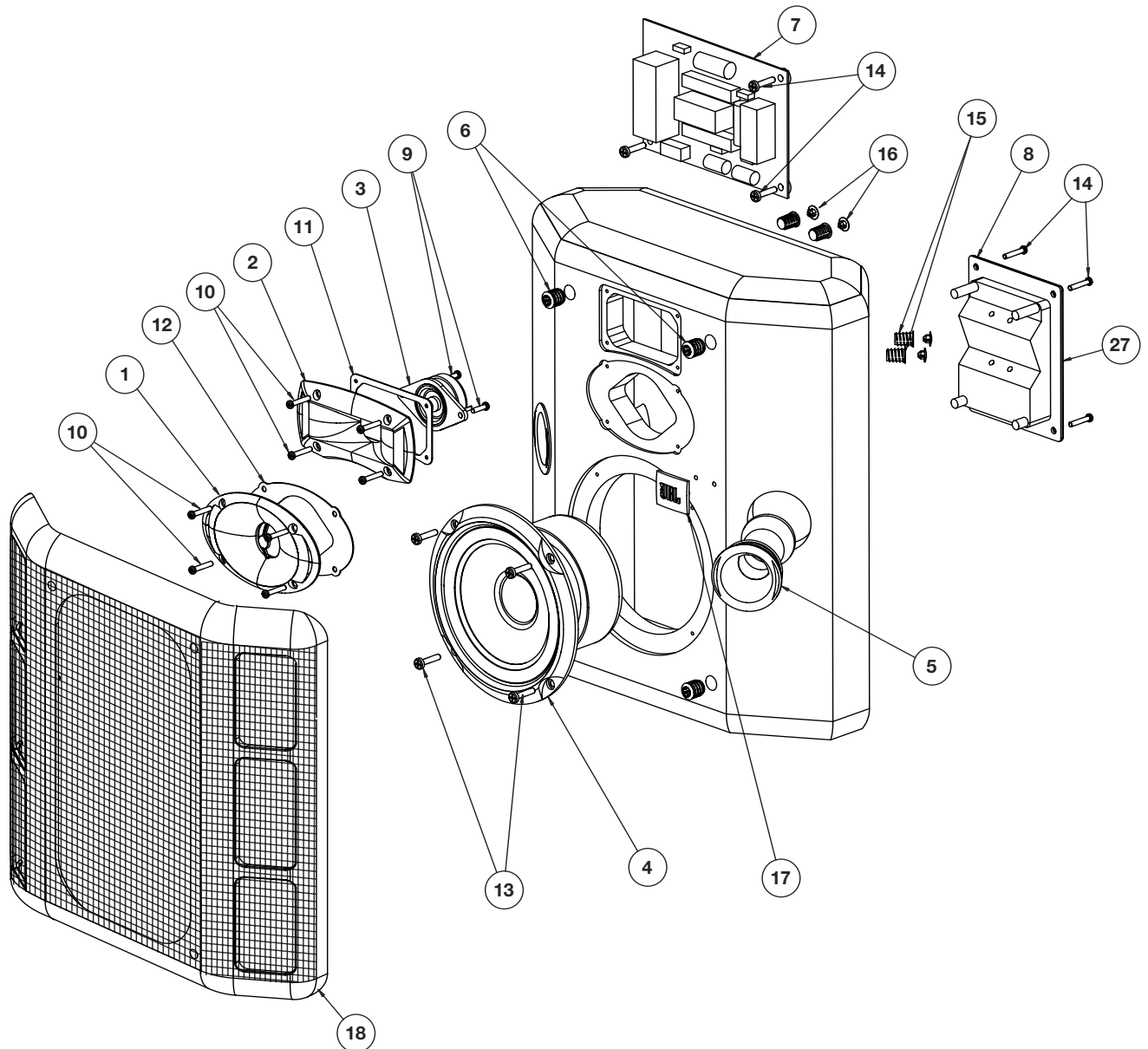
\* The maximum recommended amplifier power rating will ensure proper system headroom to allow for occasional peaks. We do not recommend sustained operation at these maximum power levels.



L810 Studio™ L Series



## EXPLODED VIEW



Item	Part No.	Description	Qty.	Item	Part No.	Description	Qty.
1	353237-001	HF TWEETER, ASSY, W/FACEPLATE	1	15	8161571-001	INSERT, 10-32X5MM, HXS, KNIFE	8
2	353133-001	HORN, UHF - STUDIO SERIES	1	16	880-00713-00	HOLE PLUG, TRUSS, 4OD.22HLE	8
3	353107-001	ASSY, TWEETER, UHF - STUDIO SERIES	1	17	353284-001	ASSY, LOGO - STUDIO L SERIES	1
4	353115-001	ASSY, WFR, 5-1/4" LOW IMP.	1	18	353233-001	ASSY, GRILLE - STUDIO L810	1
5	353286-001	ASSY, PTB - STUDIO L810	2	19	353389-001	OUTER CARTON, STUDIO L810, BLK	1
6	333249-001	GRILLE CUP, BLACK	4		353389-002	OUTER CARTON, STUDIO L810, BE	1
	333249-003	GRILLE CUP, BE & CH	4		353389-003	OUTER CARTON, STUDIO L810, CH	1
7	353419-001	CROSSOVER NETWORK L810	1	20	353334-001	L810 OWNER'S MANUAL	1
8	351317-001	TERMINAL CUP, BI-WIRE, PLSTC-NE	1	21	353390-001	PAD, END, TOP & BTM L810	2
9	802-41010-08	SCREW (UHF TWT) MS, PPH, 6-32X.5, BLK	2	22	338322-001	WARRANTY CARD, JBL PASSIVE	1
10	908302-012	SCREW (HF TWT, UHF HORN) PB, HXS, #6X.75, ZINC	8	23	330104-001	FOOT, BUMP-ON, 3M, SJ5744	8
				24	353355-001	BRACKET, WALL - STUDIO L SERIES	4
11	353327-001	GSKT, TWEETER, UHF	1	25	804-41110-08	SCREW (WALL BRACKET) 10-32X1/2, PN, PH, BLK	16
12	353331-001	GSKT, TWEETER, HF	1				
13	903802-012	SCREW (WOOFER) PB, HXS, #8X.75, ZINC	4	26	354309-001	WALL TEMPLATE, PAPER, L810	1
14	882-41110-12	SCREW (NETWORK, TERM CUP) PB, PPH, #6X.75, BLK	8	27	CS06-6	NETWORK SHORTING STRAPS (SET)	1

L810 Studio™ L Series